

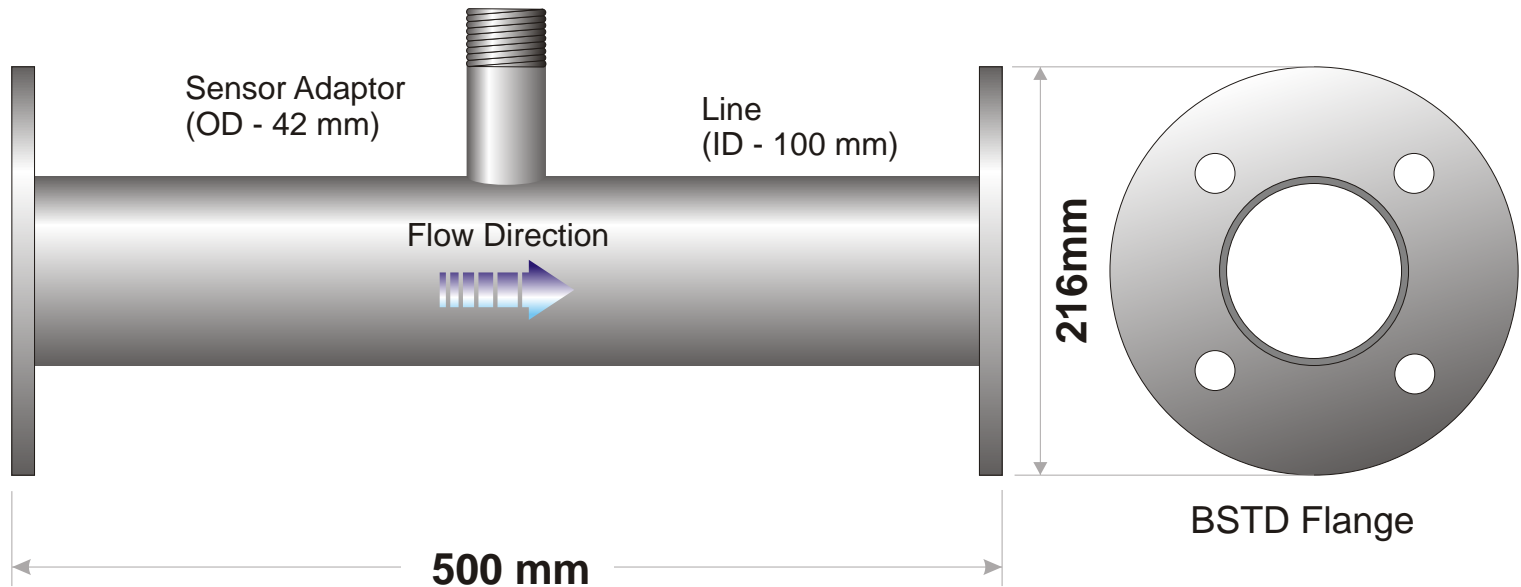
Welded Flange End Fittings: Assembly drawings for PP & SS sensors in Different Line sizes

Index

1. Welded Flange End for PP sensor in 100 NB line
2. Welded Flange End for PP sensor in 80 NB line
3. Welded Flange End for PP sensor in 65 NB line
4. Welded Flange End for PP sensor in 50 NB line
5. Welded Flange End for SS sensor in 100 NB line
6. Welded Flange End for SS sensor in 80 NB line
7. Welded Flange End for SS sensor in 65 NB line
8. Welded Flange End for SS sensor in 50 NB line

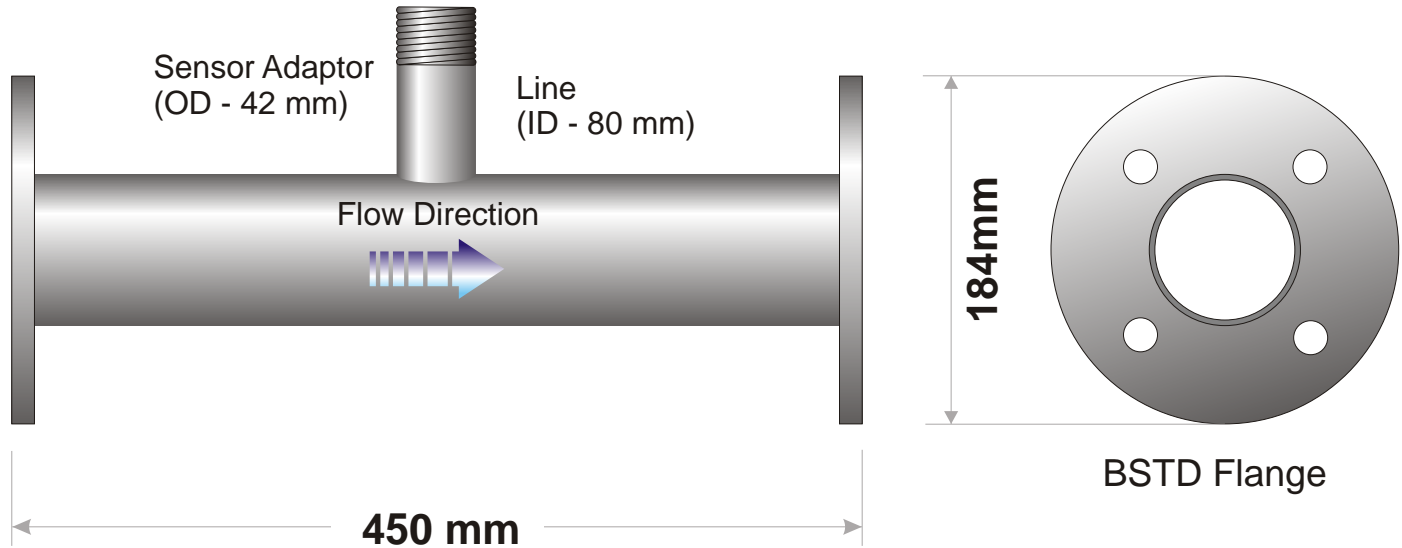


G. A. DRAWING FOR 100 NB WELDED FLANGE END S.S.'T' FITTING FOR P.P.SENSOR



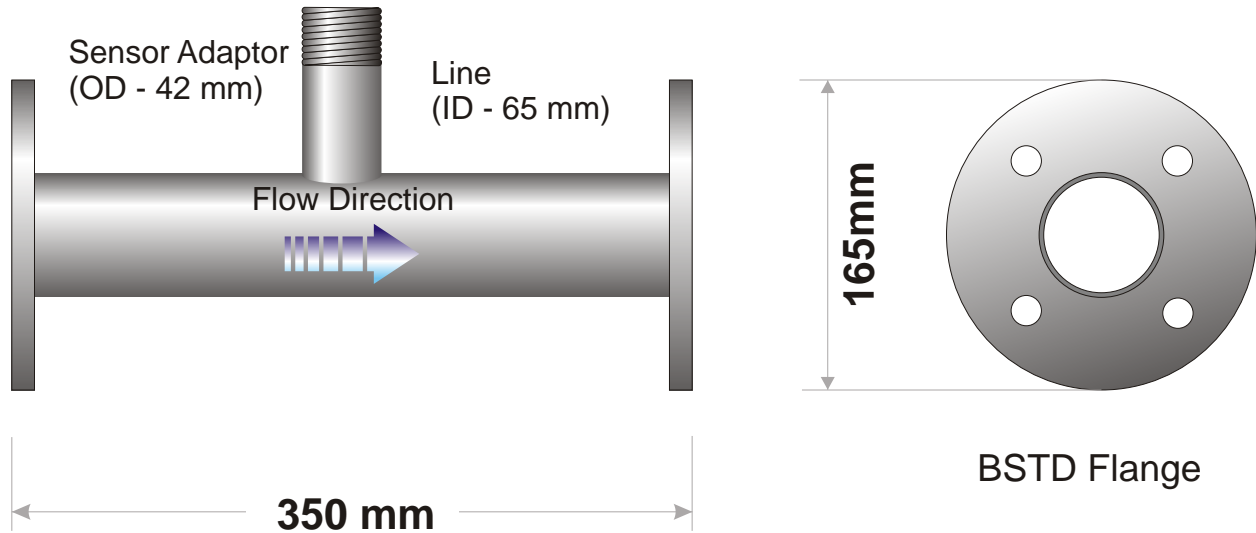
No.	Parameter	Value
1	LINE SIZE	100 NB (4 Inch)
2	MOC OF "T" FITTING	S.S.304
3	TOTAL LENGTH	500 mm
4	FLANGE MATERIAL	M.S. Powder Coated
5	FLANGE SIZE	AS PER B.S. Table 10 D
6	PCD OF FLANGE	178 mm
7	NO OF HOLES	4 nos. (Diameter 18mm)

G. A. DRAWING FOR 80 NB WELDED FLANGE END S.S.'T' FITTING FOR P.P.SENSOR



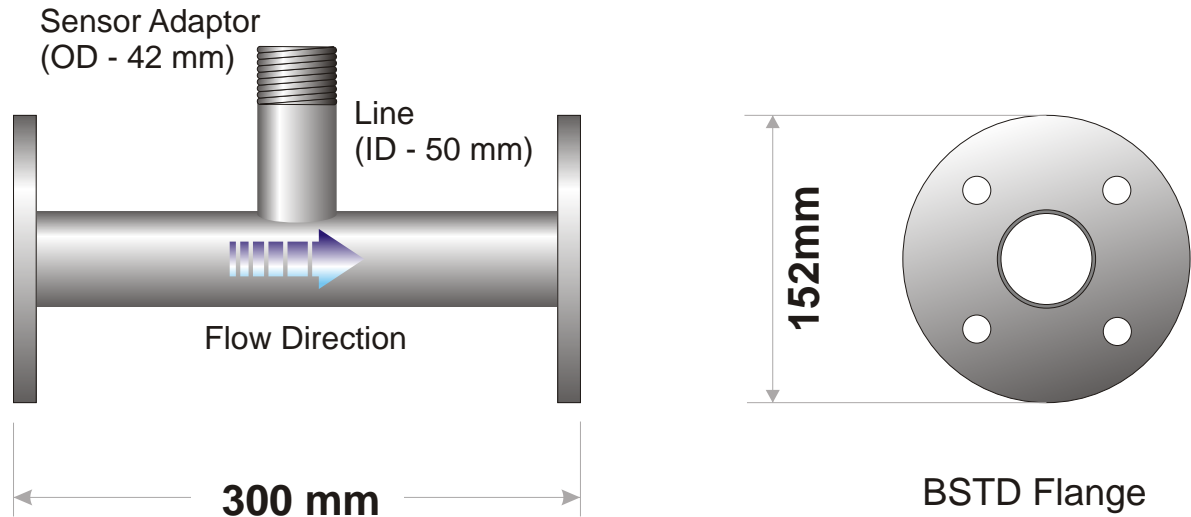
No.	Parameter	Value
1	LINE SIZE	80 NB (3 Inch)
2	MOC OF "T" FITTING	S.S.304
3	TOTAL LENGTH	450 mm
4	FLANGE MATERIAL	M.S. Powder Coated
5	FLANGE SIZE	AS PER B.S. Table 10 D
6	PCD OF FLANGE	146 mm
7	NO OF HOLES	4 nos. (Diameter 18mm)

G. A. DRAWING FOR 65 NB WELDED FLANGE END S.S.'T' FITTING FOR P.P.SENSOR



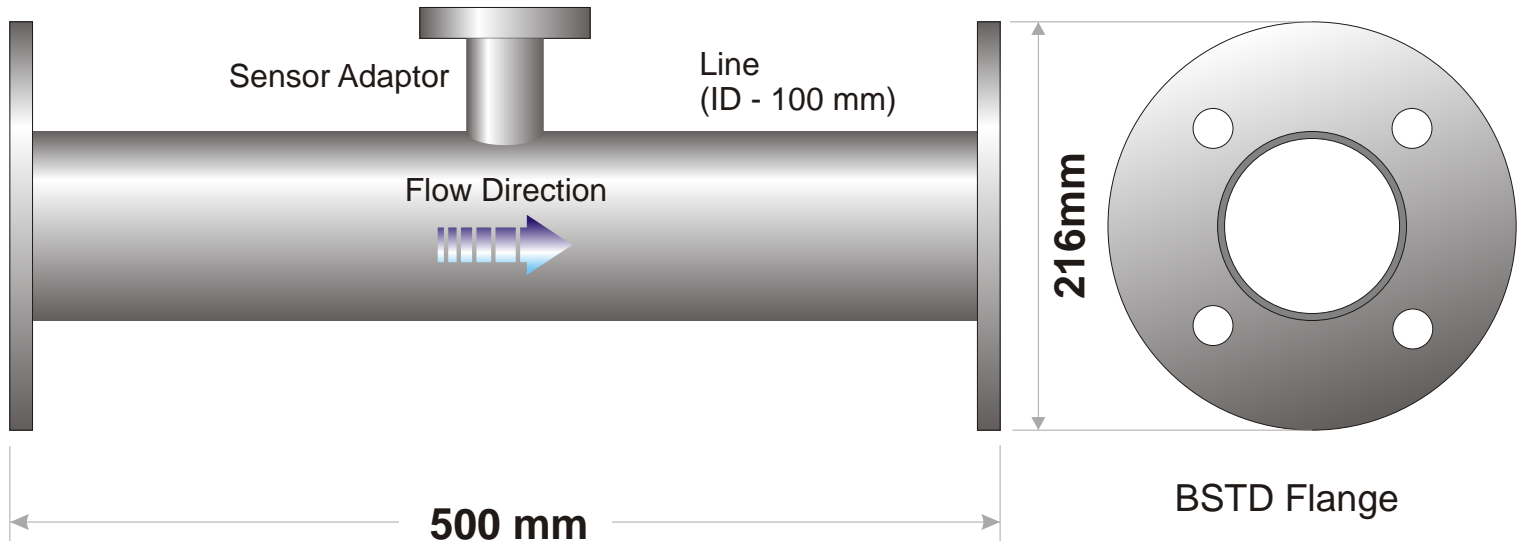
No.	Parameter	Value
1	LINE SIZE	65 NB (2.5 Inch)
2	MOC OF "T" FITTING	S.S.304
3	TOTAL LENGTH	350 mm
4	FLANGE MATERIAL	M.S. Powder Coated
5	FLANGE SIZE	AS PER B.S. Table 10 D
6	PCD OF FLANGE	127 mm
7	NO OF HOLES	4 nos. (Diameter 18mm)

G. A. DRAWING FOR 50 NB WELDED FLANGE END S.S.'T' FITTING FOR P.P.SENSOR



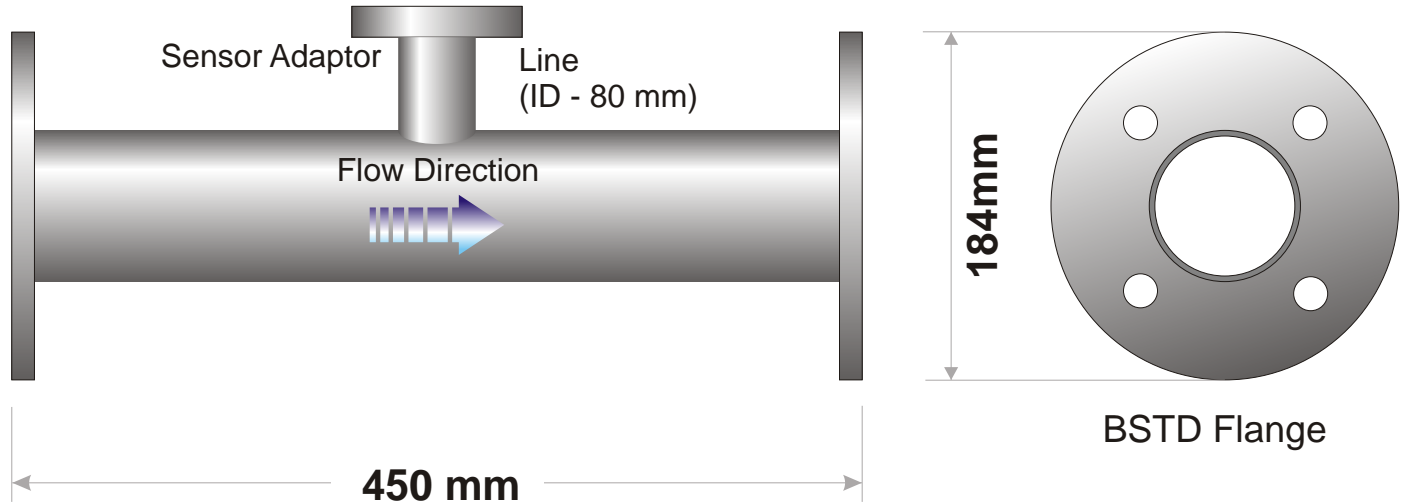
No.	Parameter	Value
1	LINE SIZE	50 NB (2 Inch)
2	MOC OF "T" FITTING	S.S.304
3	TOTAL LENGTH	300 mm
4	FLANGE MATERIAL	M.S. Powder Coated
5	FLANGE SIZE	AS PER B.S. Table 10 D
6	PCD OF FLANGE	114 mm
7	NO OF HOLES	4 nos. (Diameter 18mm)

G. A. DRAWING FOR 100 NB WELDED FLANGE END S.S.'T' FITTING FOR S.S. SENSOR



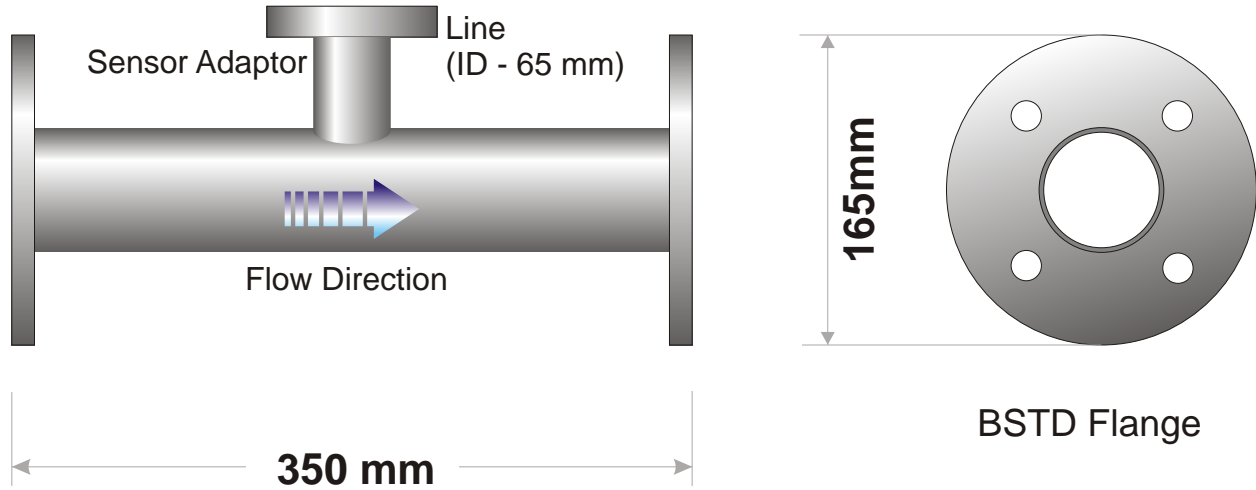
No.	Parameter	Value
1	LINE SIZE	100 NB (4 Inch)
2	MOC OF "T" FITTING	S.S.304
3	TOTAL LENGTH	500 mm
4	FLANGE MATERIAL	M.S. Powder Coated
5	FLANGE SIZE	AS PER B.S. Table 10 D
6	PCD OF FLANGE	178 mm
7	NO OF HOLES	4 nos. (Diameter 18mm)

G. A. DRAWING FOR 80 NB WELDED FLANGE END S.S.'T' FITTING FOR S.S. SENSOR



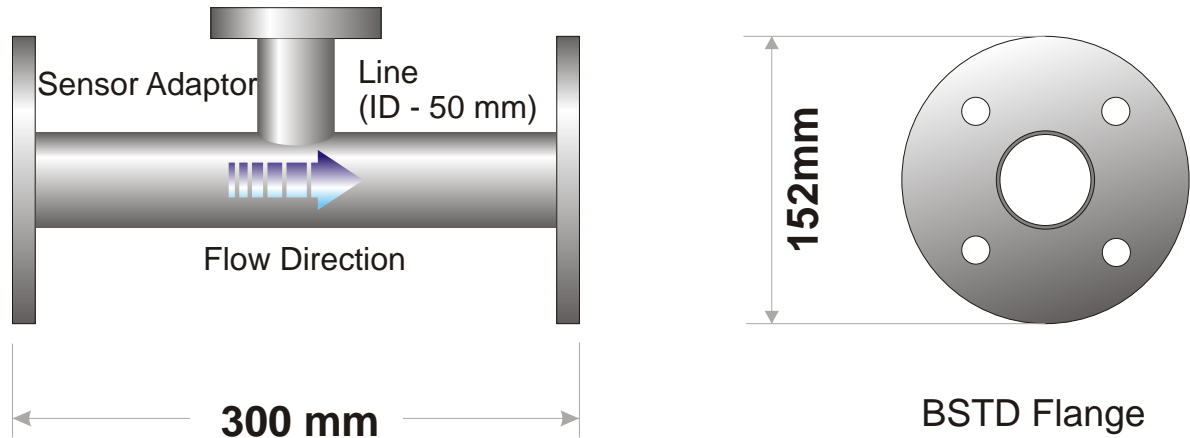
No.	Parameter	Value
1	LINE SIZE	80 NB (3 Inch)
2	MOC OF "T" FITTING	S.S.304
3	TOTAL LENGTH	450 mm
4	FLANGE MATERIAL	M.S. Powder Coated
5	FLANGE SIZE	AS PER B.S. Table 10 D
6	PCD OF FLANGE	146 mm
7	NO OF HOLES	4 nos. (Diameter 18mm)

G. A. DRAWING FOR 65 NB WELDED FLANGE END S.S.'T' FITTING FOR S.S. SENSOR



No.	Parameter	Value
1	LINE SIZE	65 NB (2.5 Inch)
2	MOC OF "T" FITTING	S.S.304
3	TOTAL LENGTH	350 mm
4	FLANGE MATERIAL	M.S. Powder Coated
5	FLANGE SIZE	AS PER B.S. Table 10 D
6	PCD OF FLANGE	127 mm
7	NO OF HOLES	4 nos. (Diameter 18mm)

G. A. DRAWING FOR 50 NB WELDED FLANGE END S.S.'T' FITTING FOR S.S. SENSOR



No.	Parameter	Value
1	LINE SIZE	50 NB (2 Inch)
2	MOC OF "T" FITTING	S.S.304
3	TOTAL LENGTH	300 mm
4	FLANGE MATERIAL	M.S. Powder Coated
5	FLANGE SIZE	AS PER B.S. Table 10 D
6	PCD OF FLANGE	114 mm
7	NO OF HOLES	4 nos. (Diameter 18mm)