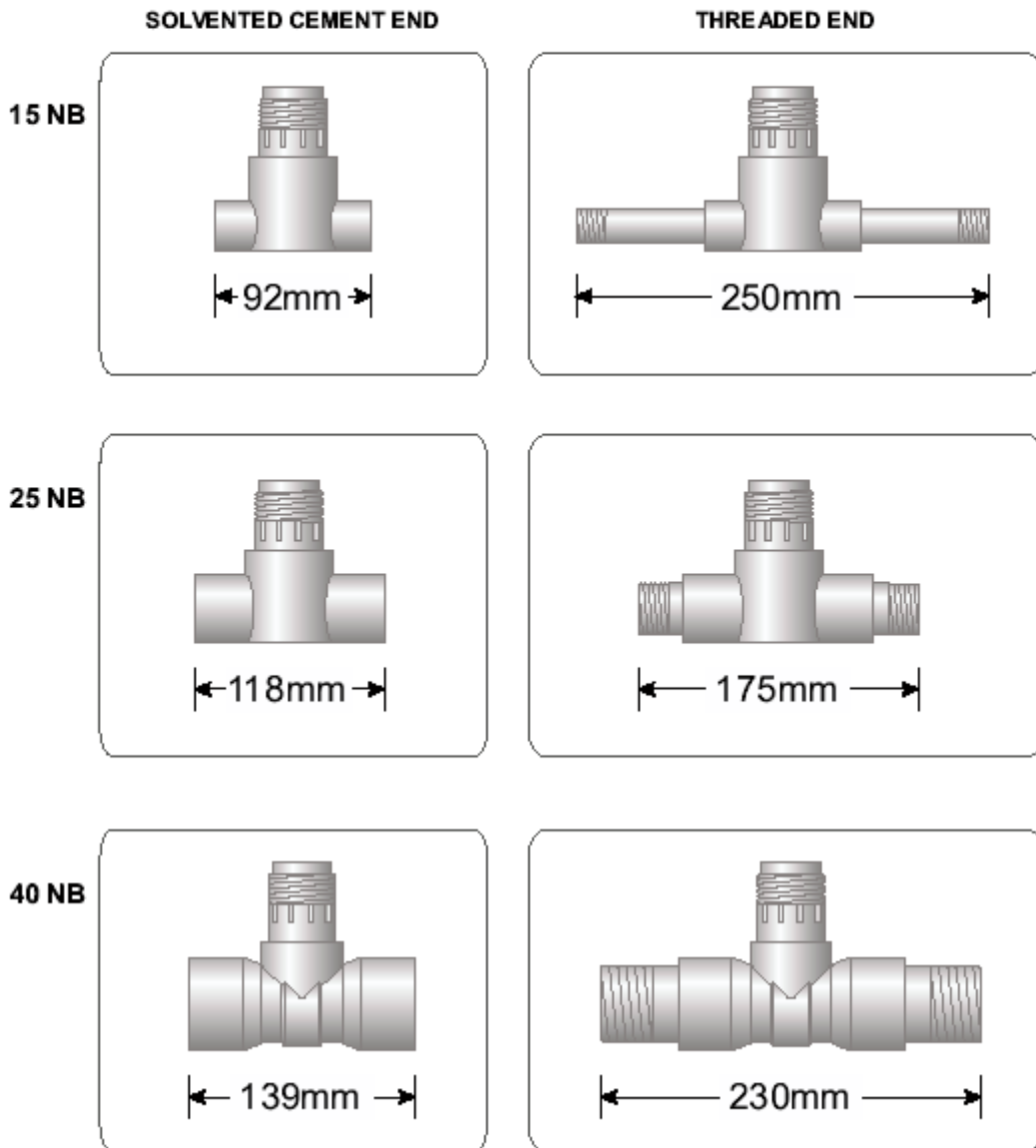


# ABS And METAL Fittings For Sensor :

## Plastic fittings Solvented Cement End & Threaded End

Our comprehensive range of fittings offer an unlimited installation possibilities. Designed according to the law of Fluid Dynamics our fittings are capable of positioning the sensor accurately in any piping to ensure correct reading of flow in any situation.



For Line sizes 15NB, 25NB, 40NB (1/2", 1", 1 1/2")

## Universal Mounting options - Saddle Fitting (Plastic)



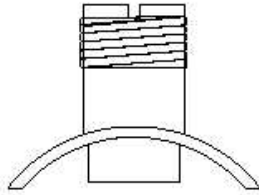
The Saddle is a plastic fitting which can be mounted on plastic pipe or metal pipe both. The Plastic fitting for a particular line size ensures the correct insertion depth & position for the sensor in that pipeline.

The Next Level of Convenience...

Take the trouble out from assembly work.

The most convenient solution as easy as 1, 2, 3...

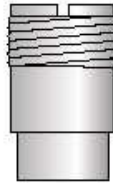
1. Drill a hole of 35 mm in the line.
2. Insert the saddle fitting.
3. Strap it up with the clamps. Done!



For Line sizes 2", 2 1/2", 3", 3 1/2", 4" (50NB, 65NB, 80NB, 100NB)

**Note:** It's essential to maintain the straight runs as per the laws of Fluid Dynamics  
Calibration is to be carried out at your end, as the site parameters vary to a large extent.

## Universal Mounting options - Weldon adaptor (SS)



The Weldon fitting is the SS fitting which can be used on any metal pipeline above 100NB. The weldon for a particular line size ensures the correct insertion depth. This positions the sensor to get the accurate readings.

The most convenient installation - as easy as 1, 2, 3...

1. Drill a hole of 35 mm in the line.
2. Place the weldon with proper alignment.
3. weld it in place. Done!

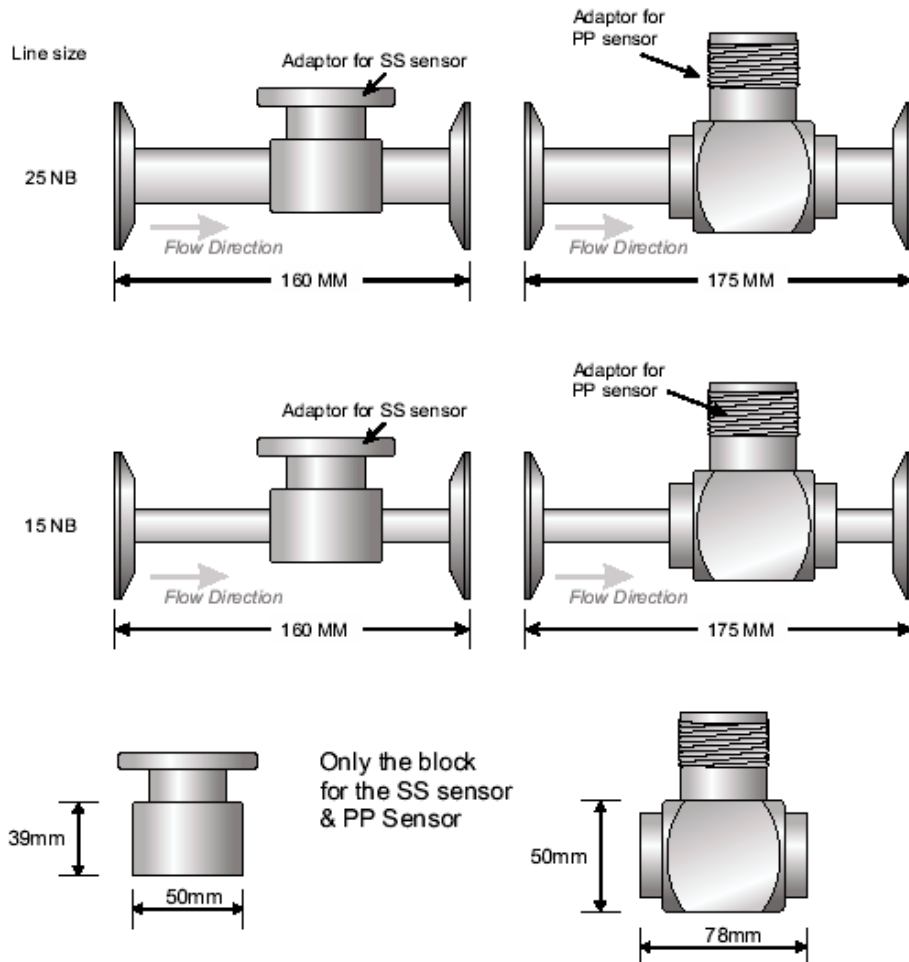
For Line sizes 4" & above (100NB & above)

\* The steps mentioned here are indicative.  
When you order a product from Vatturkar Industrial,  
You will receive the actual installation procedure & relevant documents.

FITTINGS &  
ACCESSORIES

## Metal fittings Tri clover end (Sanitary Fittings)

Our comprehensive range of fittings offer an unlimited installation possibilities. Designed according to the law of Fluid Dynamics our fittings are capable of positioning the sensor accurately in any piping to ensure correct reading of flow in any situation.



10, Tejas Society, Kothrud, Pune 411038 (India)  
Tel.: +91 20 254721 57 / 58, Fax: 020 25470897  
Cell.: 9423002061  
Email: [marketing@vatmeter.com](mailto:marketing@vatmeter.com)

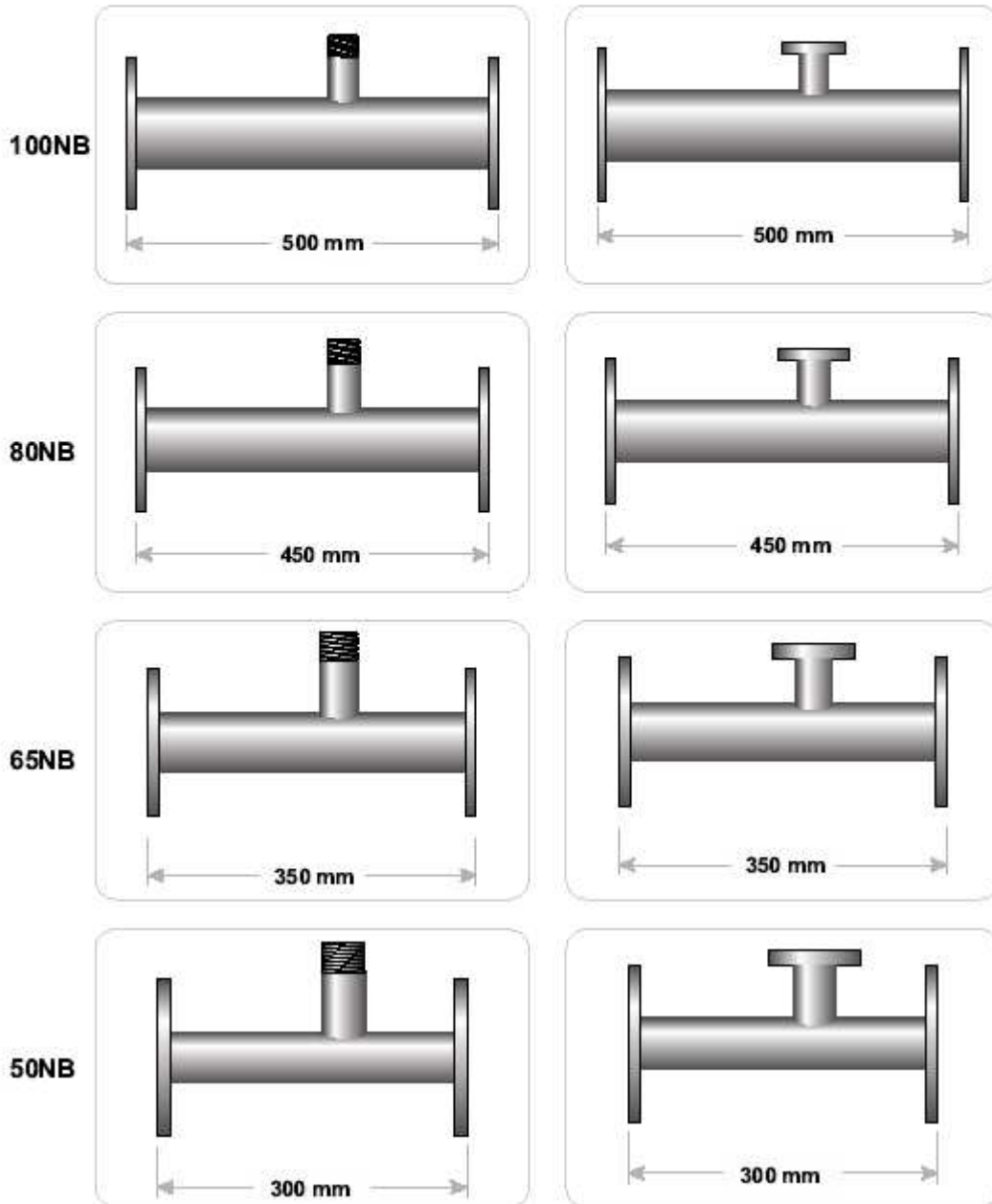
**FITTINGS &  
ACCESSORIES**

## Metal fittings Welded flange End

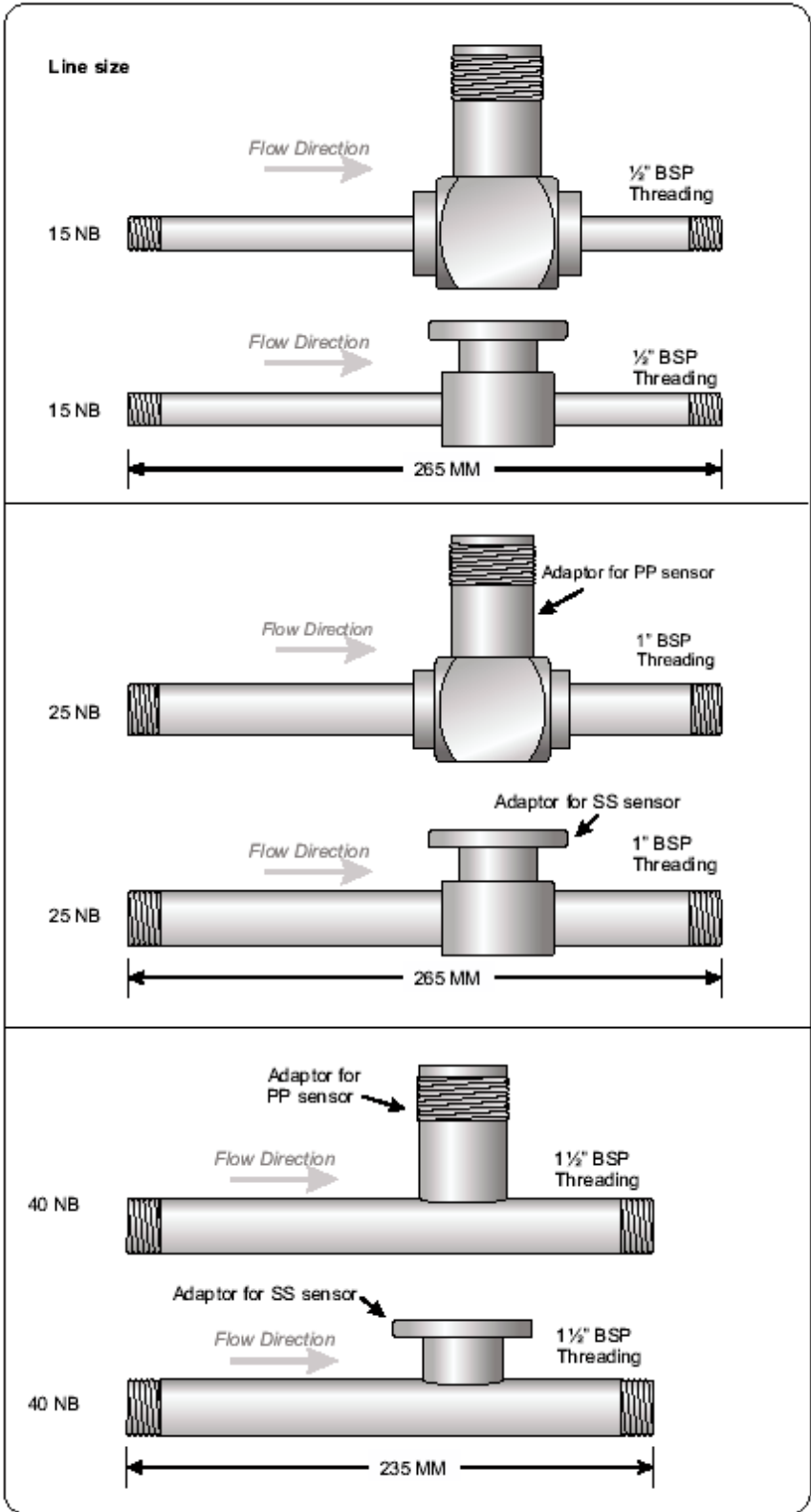
Our comprehensive range of fittings offer an unlimited installation possibilities. Designed according to the law of Fluid Dynamics our fittings are capable of positioning the sensor accurately in any piping to ensure correct reading of flow in any situation.

**For PP Sensor**

**For SS Sensor**



**Metal fittings Threaded End**



# Metal fittings - Stub End

Our comprehensive range of fittings offer an unlimited installation possibilities. Designed according to the law of Fluid Dynamics our fittings are capable of positioning the sensor accurately in any piping to ensure correct reading of flow in any situation.

**For PP Sensor**

**For SS Sensor**

